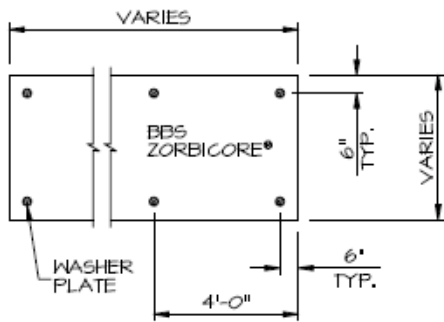


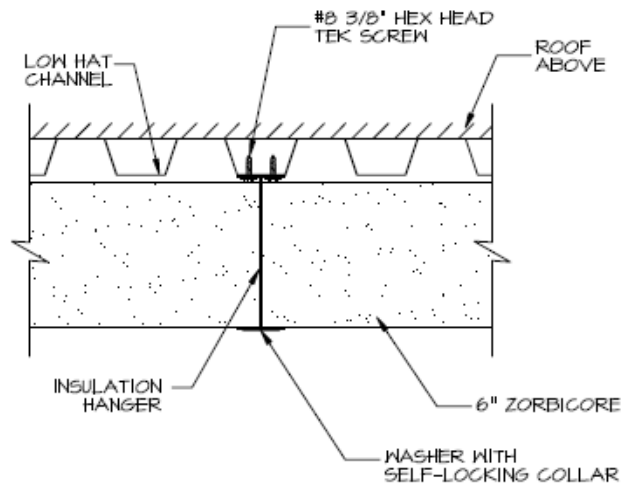
VIEW FROM BELOW (SEE NOTE)
SCALE: 3/16"=1'-0"

NOTE:

- 1) ILLUSTRATES A SNUG ATTACHMENT OF ZORBICORE® VINYL-FACED CEILING PANELS FASTENED DIRECTLY TO THE UNDERSIDE OF A DECK OR CEILING.



DETAIL
SCALE: 3/16"=1'-0"



ZORBICORE® ATTACHMENT DETAIL
(DIRECT CEILING MOUNT)
SCALE: 1/2"=1'-0"