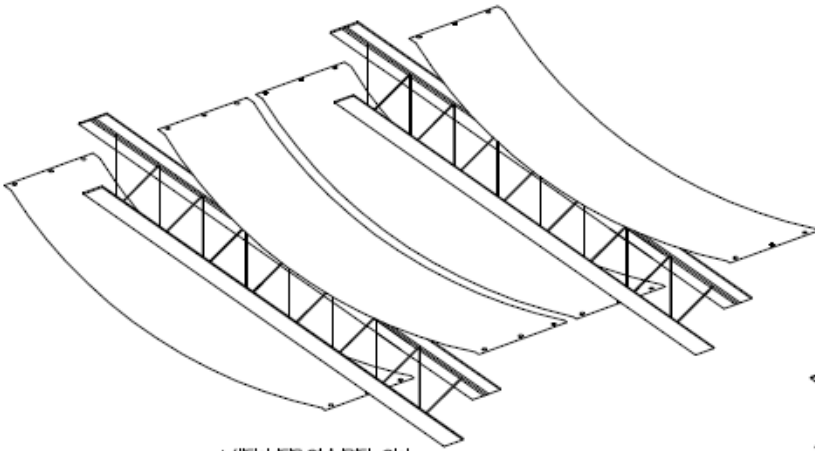
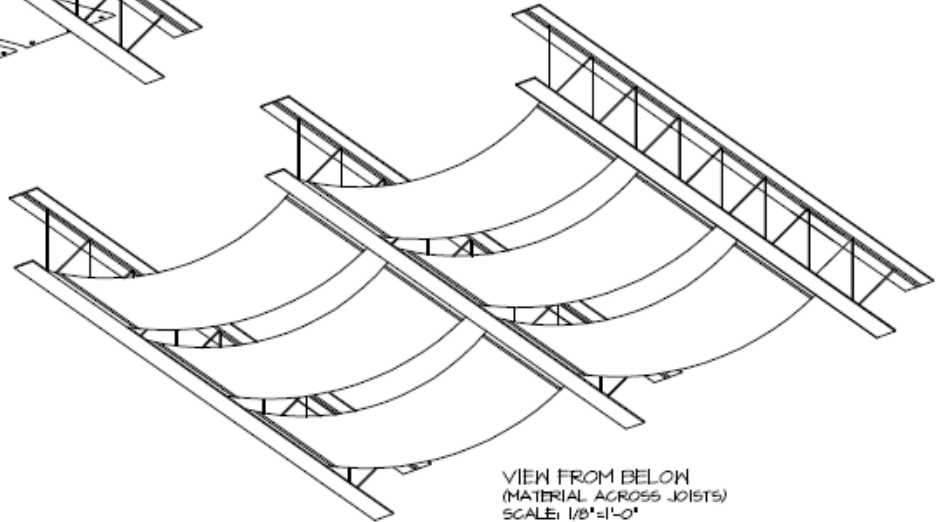


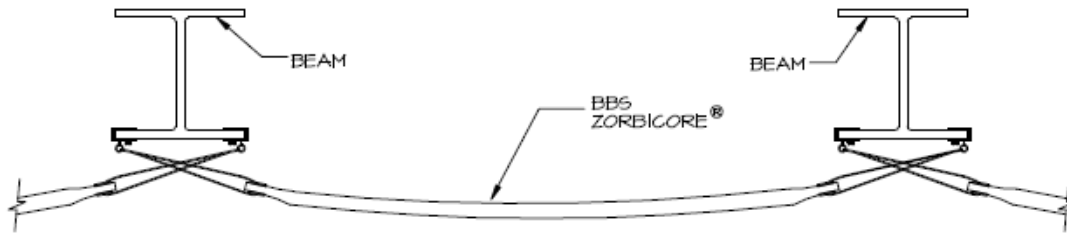
NOTE: Perforated side of Zorbicore® to face down.



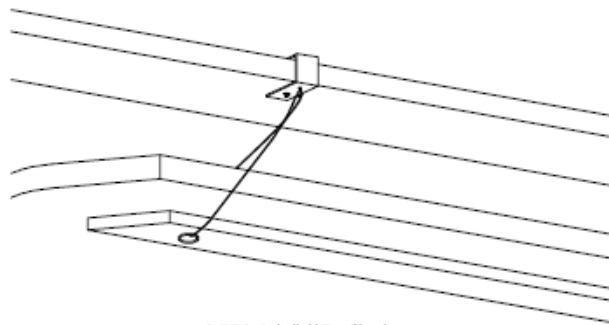
VIEW FROM BELOW
(MATERIAL BETWEEN JOISTS)
SCALE: 1/8"=1'-0"



VIEW FROM BELOW
(MATERIAL ACROSS JOISTS)
SCALE: 1/8"=1'-0"



SIDE VIEW
SCALE: 1"=1'-0"



ATTACHMENT VIEW
SCALE: 3/4"=1'-0"