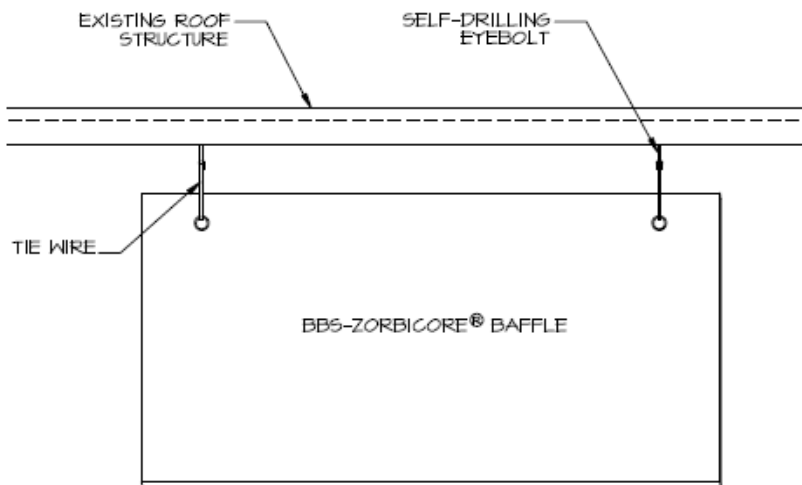


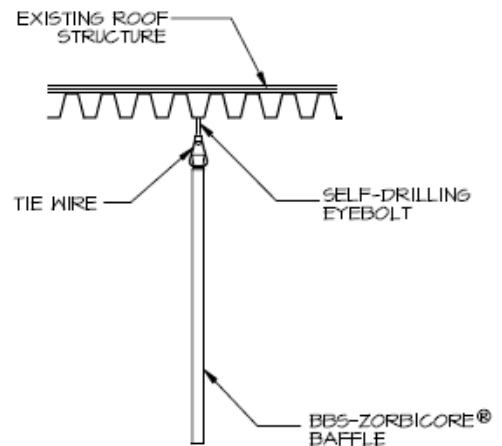
VIEW FROM BELOW  
SCALE: 3/8"=1'-0"

NOTES:

- 1) PREFERRED METHOD OF SUSPENSION.
- 2) TIE-WIRE TO BE CINCHED UP TIGHT TO CABLE SO TO PREVENT SLIPPAGE.



FRONT ELEVATION  
SCALE: 3/8"=1'-0"



SIDE ELEVATION  
SCALE: 3/8"=1'-0"